

# Galaxy Series

*Finesse & Function*

---





## FINESSE & FUNCTION

Blending unparalleled design flexibility with real-world functionality, Galaxy recycling & waste stations offer unique beauty and performance. The Galaxy combines attractive & adaptable powder-coated steel with the extreme durability of low-density plastic. Indoors or out, the Galaxy is a first-class choice for public spaces, shopping centers, universities, healthcare facilities, office buildings, and other public spaces.



105176

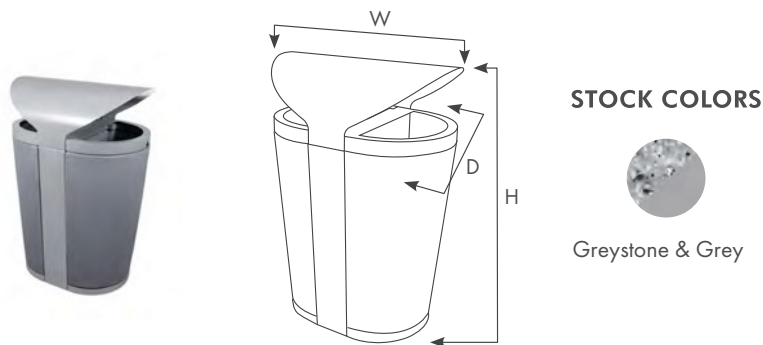
***Best selection, lowest prices.***

Call us for Quantity Discounts and Custom Designs!

800.664.5340 [www.recycleaway.com](http://www.recycleaway.com)

## RECEPTACLE SPECIFICATIONS

Below are the available Body Options for the Galaxy Series. The measurement guide is the essence of various standard measuring methods. All measurements are in inches. The Galaxy is a two-stream unit made from powder-coated steel and LDPE plastic.



Body Shape	Height	Width	Depth	Weight	Capacity
Double	42.5"H (1079.5mm)	29.375"W (746.13mm)	21.3"D (541.02mm)	108.6lbs (49.26kg)	56 gal

## MATERIAL & CONSTRUCTION DETAILS

Not all recycling & waste receptacles are created equal. Our company policy is never to compromise on our workmanship or the quality material standards we've set. We only recommend and use quality first grade materials on our recycling & waste containers, and source these from OEM's at highly-competitive prices. Being a manufacturer that buys at high-quantities gives significant buying power with companies which in turn saves you money.

The design process, materials used, finishes and manufacturing standards all affect the final product. Every decision is vital to getting the most value for your investment. You deserve recycling & waste containers that meets your demands for quality and durability and will enhance your working environment for years to come.

Component	Material(s)	Construction
Body	Powder Coated Steel	<ul style="list-style-type: none"> <li>Platinum powder coat finish</li> </ul>
Liners	LDPE	<ul style="list-style-type: none"> <li>Liners are molded from durable LDPE</li> </ul>

- Manufactured in North America

**Best selection, lowest prices.**

Call us for Quantity Discounts and Custom Designs!

800.664.5340 [www.recycleaway.com](http://www.recycleaway.com)