

Dome Top (DT) Lid Option



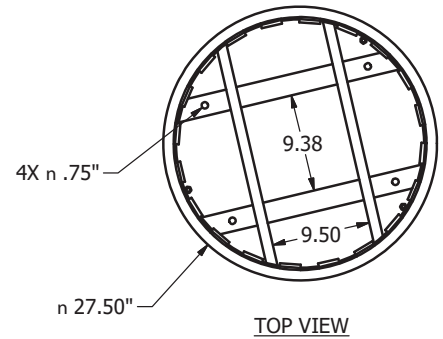
Rain Cap (RC) Lid Option



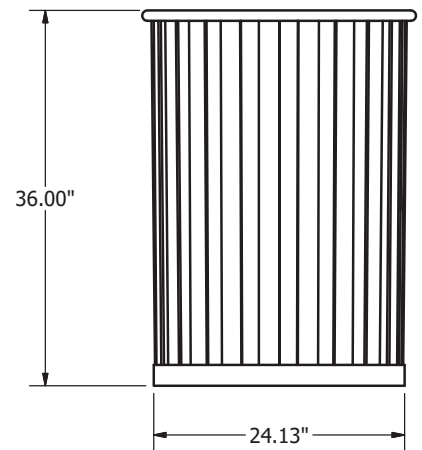
Ash & Trash (AT) Lid Option



Flat Top (FT) Lid Option



TOP VIEW



FRONT VIEW

Dimensions represent can only
lid accounted for separately

Product Features

- Made from 1/8" X 2" galvanized steel slats
- Has 1" top tube
- Includes 1/8" x 2" steel horizontal bands
- TGIC Polyester Powder Coat outdoor finish
- Material is chemically prepared and zinc rich primed prior to paint
- Available in three standard colors: Black (PMS # 6C), Brown (PMS # 426C) or Green (PMS # 346C)
- Custom colors available upon request
- Unit comes Standard with 3 Stainless Steel Leveling Feet, Anchor Kit, and Lid Attachment Kit
- Black high density polyethylene rigid plastic liner
- 4 Lids options available
 - Dome Top (DT), Rain Cap (RC), Ash / Trash Top(AT), Swing Top (SWT) and Flat Top (FT)

Item Number	Capacity	Dimensions	Weight	Finishes
M5001	50 gallons	27 1/2" dia x 36" high	100 lbs	Black (BK), Green (GN), Brown (BN)